

# Easy Step 2.0/3.0/4.0 Assembly



The Easy Step 2.0, 3.0 & 4.0 is designed to fit trailer tongues that are 3" or 3.5" wide. Please measure your trailer tongue before proceeding with installation.

---

## Tools Needed

---

- 9/16" socket and ratchet
- 9/16" wrench

**Note:** If longer U-Bolts are required, give us a call at 800-966-1502.

---

## Installing step tube to trailer tongue

---

- Determine your mounting location and desired angle. You can adjust this step to be centered with the bow, angled to the starboard side, or angled to the port side. Reference the second page for photos.
- After positioning the step tube, use the provided U-bolts, washers, nuts and your 9/16" tools to secure the bracket to your trailer tongue.

---

## Attaching steps to step tube

---

- Align the holes in your steps with the holes on the step tube.
- Using the provided 3/8" – 16 x 3-1/4" bolts, washers, and nuts, attach the steps to the step tube.

\*Pictures on back\*

---

## Attaching the handrail

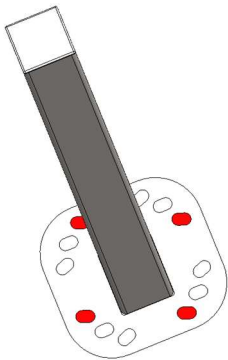
---

- If mounting the handrail to the starboard side, align the handrail with the same 3/8"-16 x 3 -1/4" bolts that attach the step to the step tube.
- If mounting to the port side, the handrail will need to align with the bottom 3/8"-16 x 3-1/4" bolt and with the extra hole drilled in the step. Use the extra 3/8"-16 x 1-1/4" hex bolt for this.
- Use the 9/16" tools to tighten all hardware.

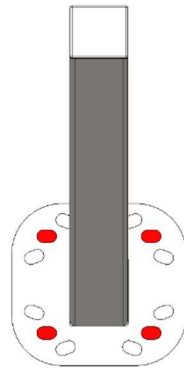
\*Pictures on back\*

## Choosing Angle

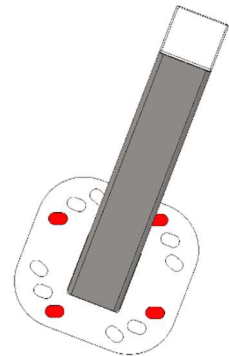
Starboard



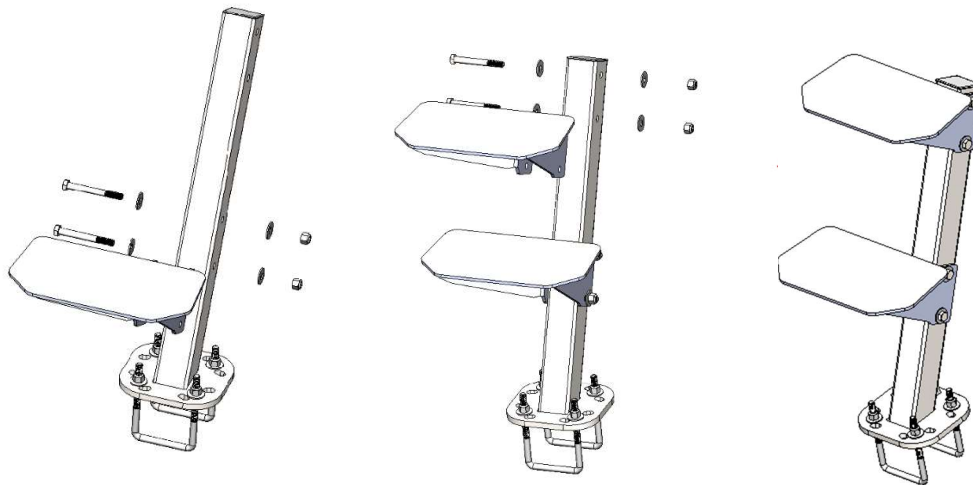
Center



Port



## Attaching Steps to Step Tube



## Attaching Handrail

NOTE: Handrail can be mounted on port or starboard side of steps

