

# EASY STEP

## BOAT TRAILER STEPS

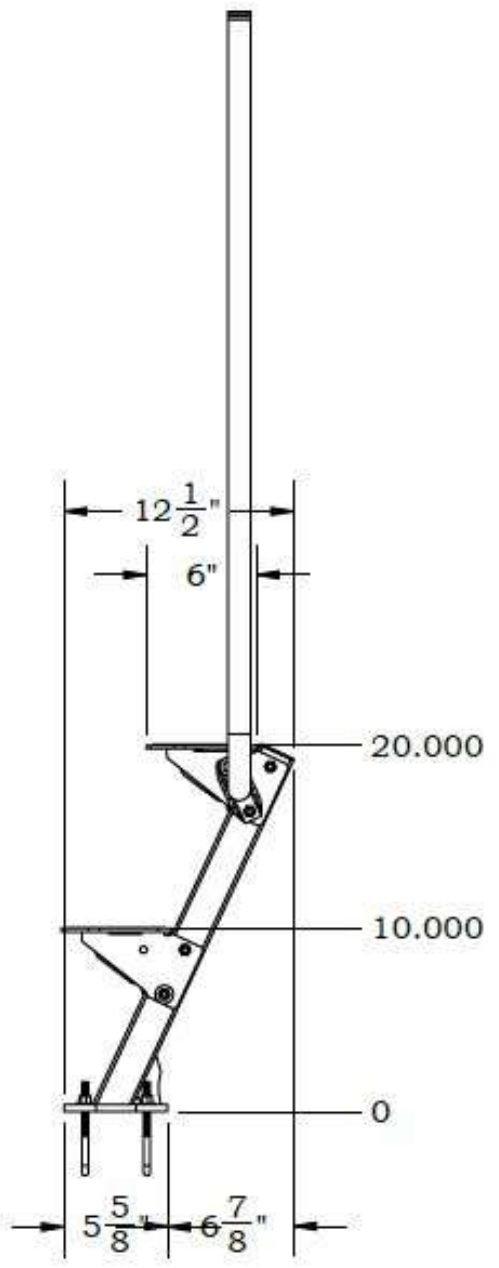
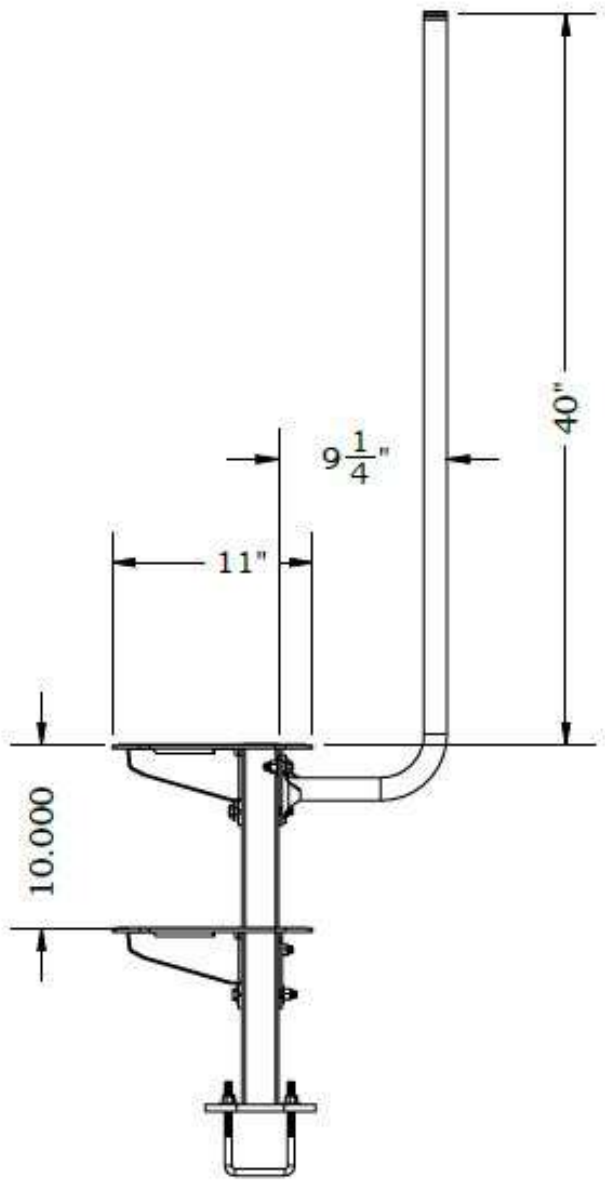
### Easy Step 2.0 and Easy Step 3.0

#### Customer Fit Check

BEFORE PURCHASING THIS STEP UNIT, PLEASE READ THROUGH THE FOLLOWING VERY CAREFULLY TO MAKE SURE IT WILL FIT YOUR BOAT/TRAILER.

- The mounting plate is 5-5/8" long. You will need to be sure you have at least that amount of space on your tongue for this to mount.
- The mounting plate is made to fit tongues that are either 3" wide or 3.5" wide. If your tongue is any larger than this, the steps **WILL NOT** mount.
- The Provided U-BOLTS will fit up to a 3" x 4" tongue or a 3.5" x 4.5" tongue. If longer u bolts are needed, we do have them available. Please give us a call so we can be sure to include them with your steps.
- Be sure you have enough room for the rise and run of the steps. The easiest way to check this is to hang a plumb bob from the tip of the bow and measure back to the desired mounting location.
  - You need to have at least 13" of horizontal distance for the Easy Step 2.0
  - You need to have at least 17.5" of horizontal distance for the Easy Step 3.0.
  - The rise of the Easy Step 2.0 is 20"
  - The rise of the Easy Step 3.0 is 30"
- Check the diagrams on the second page to check all dimensions.

# EASY STEP 2.0 DIAGRAM



# EASY STEP 3.0 DIAGRAM

