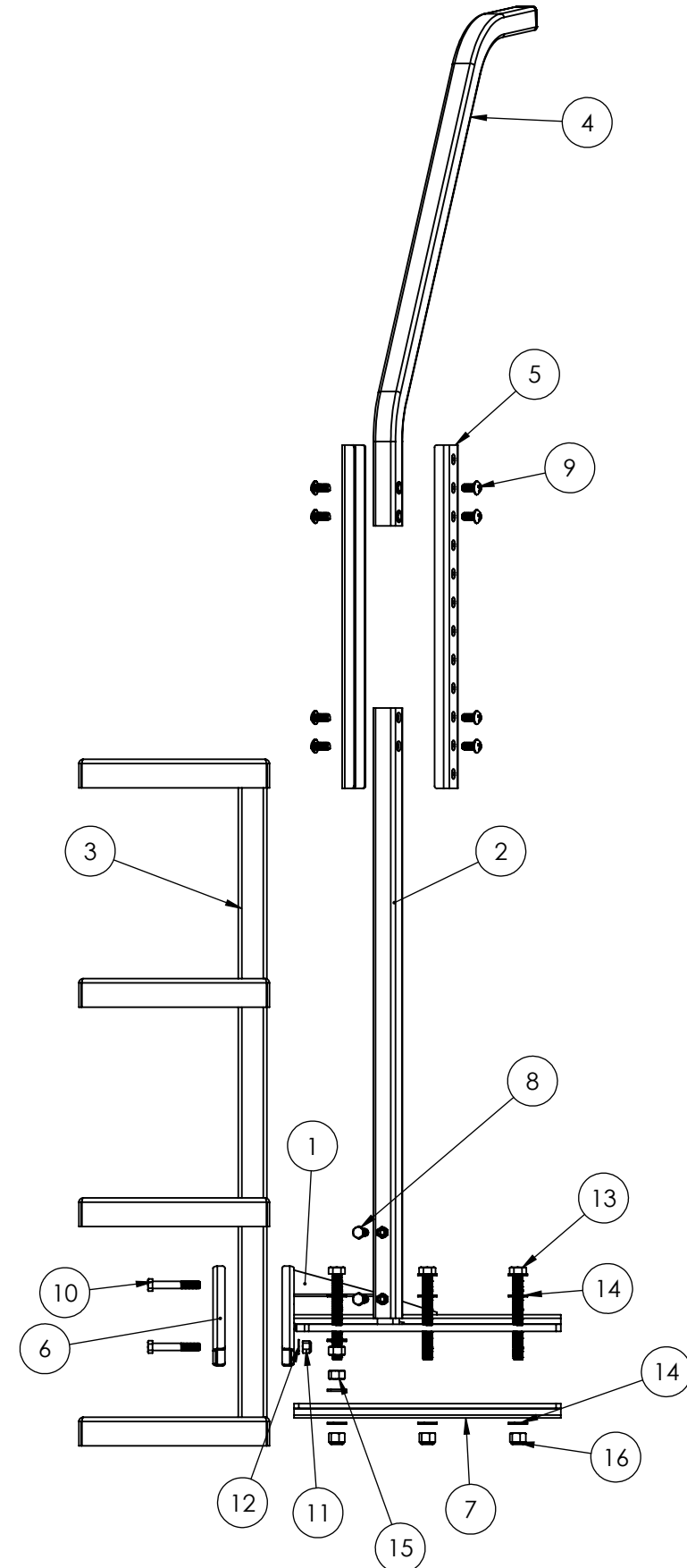
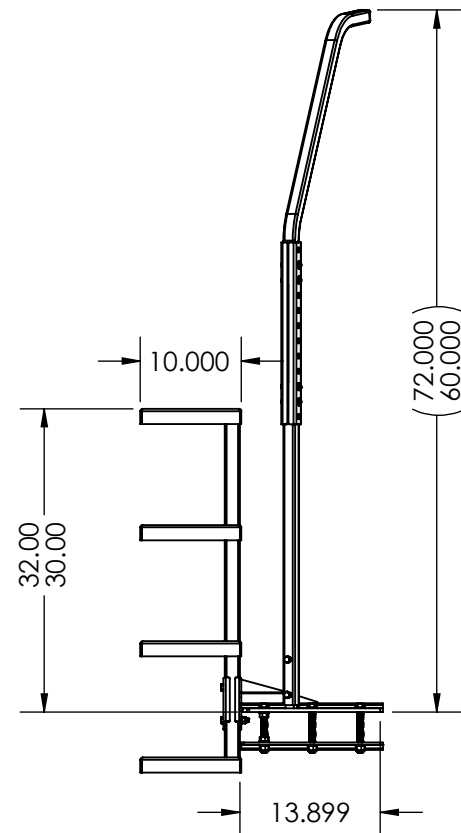
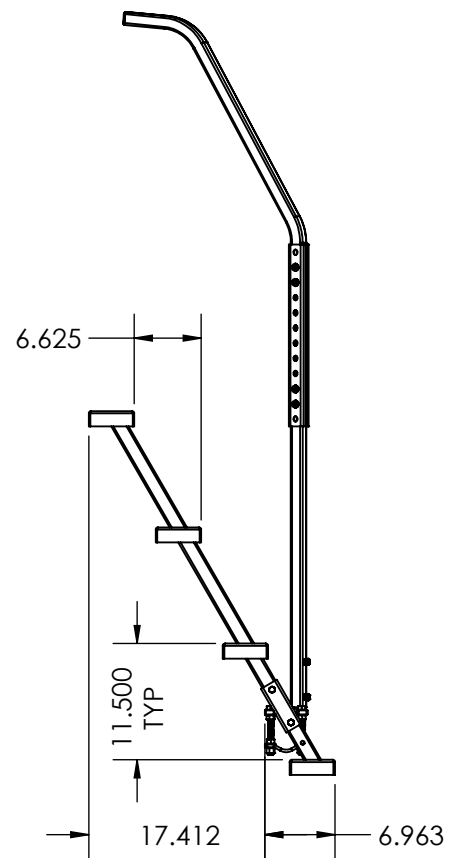


ITEM NO.	PART NUMBER	DESCRIPTION	QTY.
1	RM5213	ESS3SA TRAILER MOUNT WELDMENT	1
2	RM5212	LOWER HANDRAIL TUBE	1
3	RM5206	ESS4 STEP WELDMENT	1
4	RM5211	TOP HANDRAIL TUBE	1
5	RM5210	HANDRAIL CHANNEL BRKT.	2
6	RM5217	U-CLAMP BRKT. PAINTED	1
7	RM5219	BOTTOM MOUNTING BRKT.	1
8	CAP SCREW, HEX HEAD	3/8-16 X .75 LONG	2
9	Phillips .375-16 x .750 Long	PHILLIP SCREWS	8
10	CAP SCREW, HEX HEAD	3/8-16 X 2.50 LONG	2
11	Nut, Hex, Lock, Nylon, .375-16	3/18-16 NUT	2
12	FLAT WASHER	3/8" FLAT WASHER	2
13	91257A730	1/2-13 FULL THREAD BOLT X 6.00"	6
14	WASHER	.52 I.D	16
15	NUT, HEX .500-13	1/2-13 HEX NUT	4
16	Nut, Hex, Lock, Nylon .500-13	1/2-13 NYLON HEX NUT	6



REGAL MACHINE MFG.

TITLE: **ESS4**

SIZE: **B** DWG. NO: **ESS4 CUSTOMER ASSEMBLY** REV: **NR**

SCALE: 1:9 SHEET 1 OF 2

ESS4 ASSEMBLY

MOUNTING HARDWARE (INCLUDED)

- ½-13 X 6" Zinc coated bolts (QTY. 6) will be provided. These bolts will work on mounting surfaces up to 4" tall. If your mounting surface is taller than 4" you will need to purchase longer bolts.
- ½" Flat washers (QTY. 12)
- ½-13 Nylon locking nuts (QTY. 6)
- An additional 4 washers and 4 standard nuts will be provided for space between the top and bottom bracket (see drawing).

HANDRAIL ASSEMBLY

- The lower and upper handrails are held together by two split collars with 3/8" holes drilled in them. These holes are spaced 1.5" for a total adjustment of 12" up or down.
- Use the phillips head screws (QTY. 8) for the top and bottom hand rail. 4 screws on top, 4 screws on bottom.
- Adjust the handrail to a height that works best for you. The height can be adjusted from 60"-72"
- Once handrail is adjusted to the desired height, place it over the 7/8" x 7/8" x 7" bar stock on the top bracket assembly and tighten using the 2 set screws.

ATTACHING BRACKETS TO TONGUE

- Secure the top and bottom brackets to the tongue/frame with the ½" bolts, flat washers, and nylon nuts (NOT INCLUDED)

ATTACHING STEPS TO BRACKET

- Secure the step weldment (1.25" tubing) to the top bracket using the u-clamp bracket and the 3/8" bolts and locking nuts (QTY 2).
- These steps are adjustable 2" up or down to suit your preference.

LOCTITE

- We recommend applying mid-grade Loctite to all connections. This will help prevent screws and bolts from coming loose while traveling.

IF FURTHER ASSISTANCE IS NEEDED, PLEASE CONTACT OUR OFFICE.

Email: info@easystem.com <<mailto:info@easystem.com>>

Phone: 800-966-1502