

REVISIONS			
REV.	DESCRIPTION	DATE	DRAWN
NR	NEW RELEASE	5/20/19	EEV
A	ITEM 12 CHANGED	1/30/2020	EEV

ITEM NO.	PART NUMBER	DESCRIPTION	
1	RM4100	3 STEPS	1
2	RM4120	MOUNT WELDMENT ASSYM	1
3	RM4111	TOP WELDMENT	1
4	RM4112	BOTTOM WELDMENT	1
5	RM4106	SS BOTTOM STEP COVER	2
6	RM4105	SS TOP STEP	1
7	RM4123	HANDRAIL TOP SECTION	1
8	RM4119	BENT PLATE	2
9	Hex Head, .250-20 x 1.500	1/4-20 BOLT 1.50"	2
10	91257A730	1/2-13 FULL THREAD BOLT X 4.00"	4
11	91247A723	1/2-13 HEX BOLT - 3.00" LONG	4
12	93548A597	5/16-CARRIGE BOLT X 3.50 LONG	4
13	Nut, Hex, Lock, Nylon .500-13	1/2-13 NYLON HEX NUT	9
14	NY,HEX NUT .375-16	3/8 -16 NYLON HEX NUT	4
15	NUT, HEX, .250-20	1/4-20 HEX NUT	2
16	Washer, Flat, .328 ID x .562 OD	5/16 WASHER	4
17	91922A308	.50" ID 1.00" OD WASHER	16
18	9307K23	GROMET	4
19	9283K15	END CAP	2

(A)

ASSOCIATED ASSEMBLIES

PROPRIETARY AND CONFIDENTIAL
 THE INFORMATION CONTAINED IN THIS DRAWING IS THE SOLE PROPERTY OF REGAL MACHINE MFG. ANY REPRODUCTION IN PART OR AS A WHOLE WITHOUT THE WRITTEN PERMISSION OF REGAL MACHINE MFG. IS PROHIBITED.

TOLERANCES
 LENGTH:
 x.xx = ±.015"
 x.xxx = ±.005"
 FRACTIONAL = ±3/32
 ANGULAR:
 MACH = ± 1.0
 BEND = ±1.0
 HOLES:
 DIAMETER = ±.005" UNLESS NOTED
 LENGTH = ±.005" UNLESS NOTED
 UNLESS OTHERWISE SPECIFIED DIMENSIONS ARE IN INCHES

GEOMETRIC TOLERANCING PER:
 MATERIAL: REF. PARTS
 FINISH: REF. PARTS
 COATING:
 COLOR:
 DO NOT SCALE DRAWING

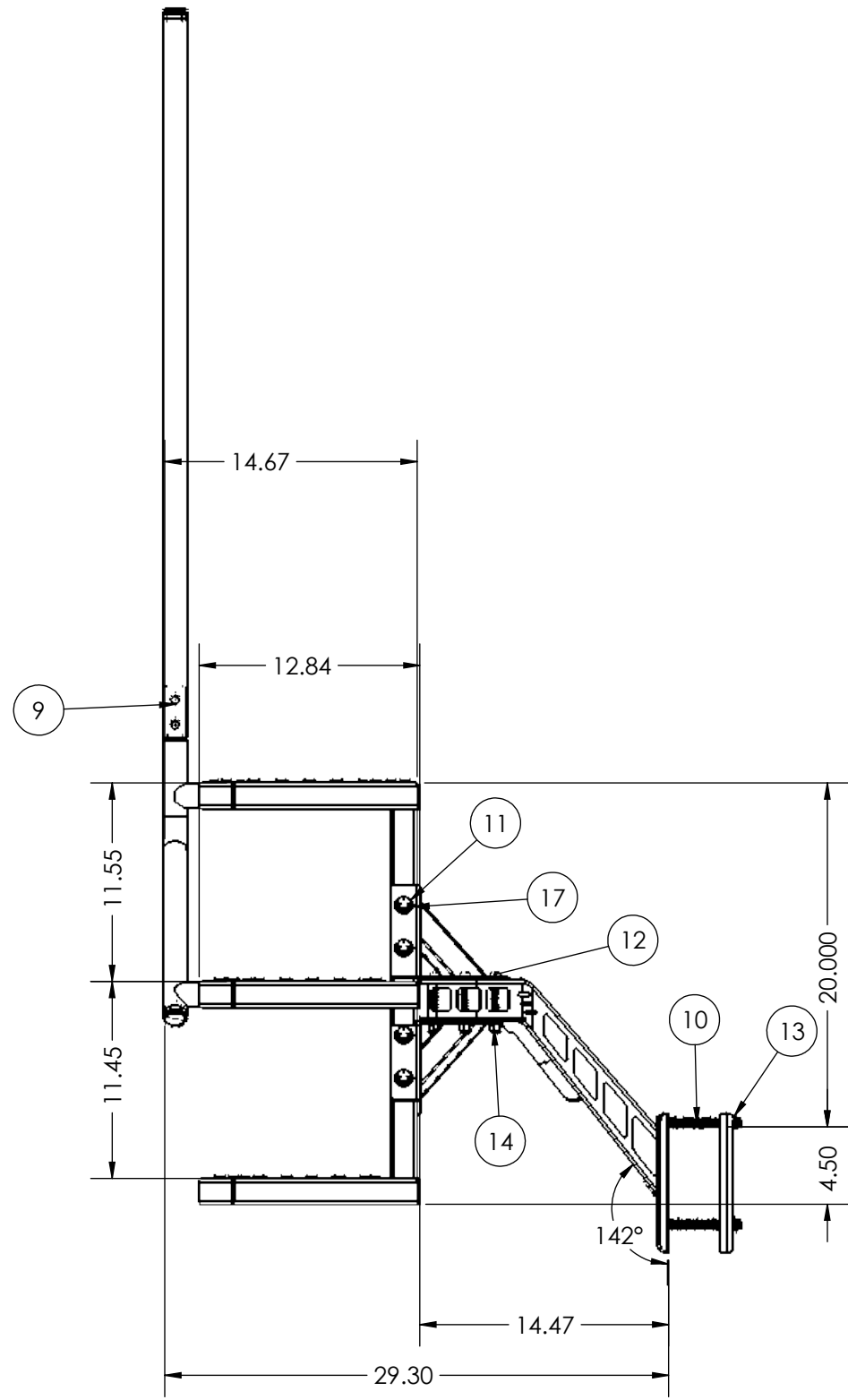
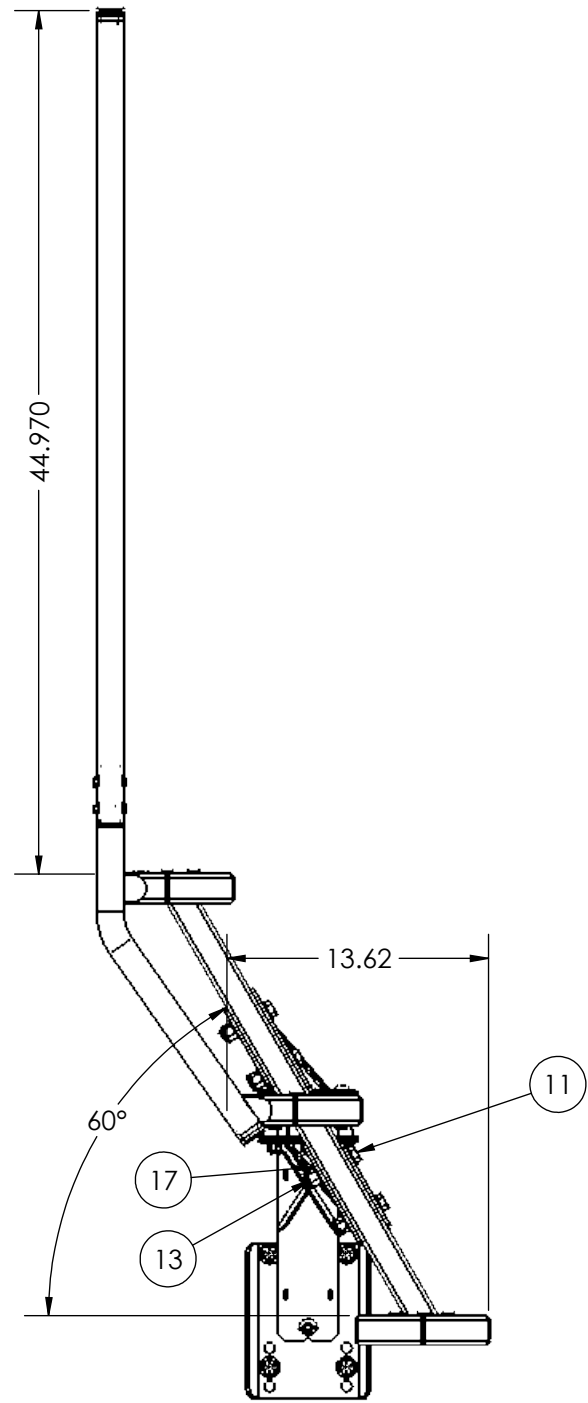
NAME	DATE
DRAWN: EEV	5/20/19
CHECKED:	
ENG APPR.:	
MFG APPR.:	
Q.A.:	
CUSTOMER: EASY STEP	

REGAL MACHINE MFG.

TITLE: PIVOT STEP

SIZE: B DWG. NO: RM4121 REV: A

SCALE: 1:8 WEIGHT: 44.49 LBS SHEET 1 OF 2



<p>PROPRIETARY AND CONFIDENTIAL THE INFORMATION CONTAINED IN THIS DRAWING IS THE SOLE PROPERTY OF REGAL MACHINE MFG. ANY REPRODUCTION IN PART OR AS A WHOLE WITHOUT THE WRITTEN PERMISSION OF REGAL MACHINE MFG. IS PROHIBITED.</p>	<p>INTERPRET GEOMETRIC TOLERANCING PER:</p>	<p>TOLERANCES: LENGTH: x.xxx = ±.040" x.xxx = ±.015" FRACTIONAL = ±3/32</p>	<p>TITLE: PIVOT STEP</p>	<p>REGAL MACHINE MFG.</p>		
	<p>MATERIAL: REF. PARTS</p>	<p>ANGULAR: MACH = ± 1.5 BEND = ±1.5</p>	<p>CUSTOMER: EASY STEP</p>			<p>SIZE: B</p>
	<p>FINISH: REF. PARTS</p>	<p>UNLESS OTHERWISE SPECIFIED DIMENSIONS ARE IN INCHES</p>	<p>SCALE: 1:10</p>	<p>WEIGHT: 44.49 LBS</p>	<p>SHEET 2 OF 2</p>	
	<p>COATING:</p>					
	<p>COLOR:</p>	<p>DO NOT SCALE DRAWING</p>				